



STOME

TABLE COLLECTION

The STOME Table stems from the ambition to reinvent marble, giving new life to production offcuts through design. Originally conceived as a cladding system, the concept evolves here into a collection of functional design objects. This creative challenge was led by architect Eduardo Benamor Duarte, who translated the modular logic of stone into an authored piece, where material efficiency meets the language of contemporary design. Versatile and refined, the STOME Table Collection demonstrates how stone can give rise to unique solutions across different contexts of use.

STOME: A SHIFT
IN PERSPECTIVE.



— Imagem de exemplo. As cores podem variar de acordo com a escolha do cliente.

STOME

TABLE COLLECTION

DESIGNER EDUARDO BENAMOR DUARTE

DESIGN YEAR 2025

MATERIAL MÁRMORES - GRUPO GALRÃO

PRODUCER GRUPO GALRÃO



IMAGE FEATURING THE TOKYO PATTERN.
Sample image. Colours may vary according to customer choice.

STOME

TABLE COLLECTION PATTERNS

In the Patterns version, the STOME side table assembles small marble pieces into geometric compositions inspired by iconic cities of the Middle East and Asia. The interplay of stones and tones creates rhythmic surfaces shaped by repetition, geometry and the tradition of stone craftsmanship.

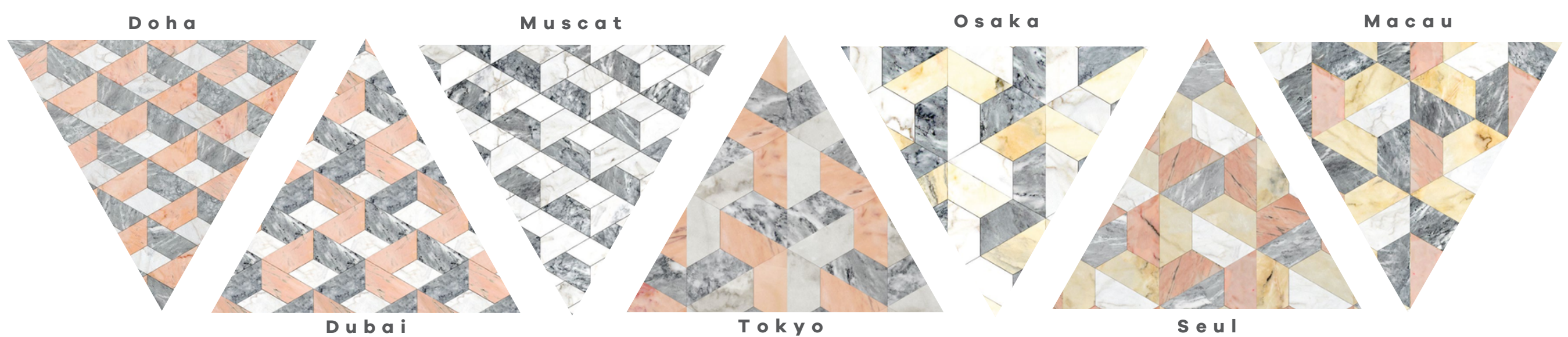


IMAGE FEATURING THE TOKYO PATTERN.
Sample image. Colours may vary according to customer choice.

STOME

TABLE COLLECTION PATTERNS

PATTERNS



FINISHES

POLISHED

The polished finish creates a smooth, glossy surface that enhances the colour and veining of the stone.

HONED

The honed finish highlights the natural colour of the stone, giving it a soft, matte and velvety texture.



Sample image. Colours may vary according to customer choice.

STOME

TABLE COLLECTION SOLID

In the Solid version, the STOME side table is defined by the continuity of the material. Each piece is composed of single marble elements that reveal the stone's natural colour, texture and veining. The result is a calmer, more sculptural surface, where the material itself takes centre stage.



Sample image. Colours may vary according to customer choice.

STOME

TABLE COLLECTION SOLID

PATTERNS

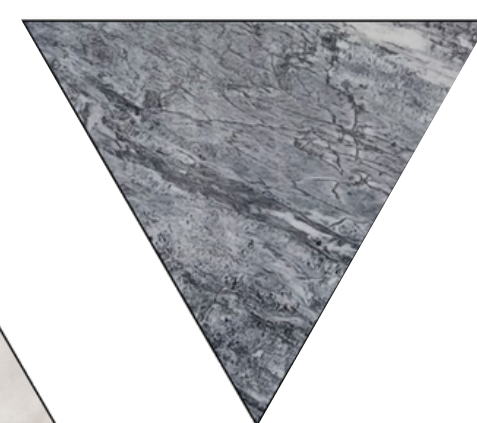
SUNSET



ESTREMOZ
CREME



BLUETTE



SUNRISE



ESTREMOZ
BRANCO



FINISHES

POLISHED

The polished finish creates a smooth, glossy surface that enhances the colour and veining of the stone.

HONED

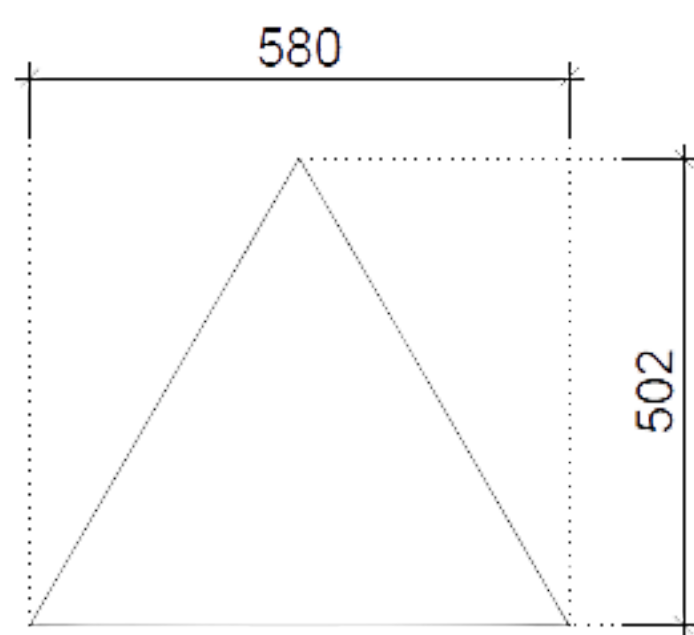
The honed finish highlights the natural colour of the stone, giving it a soft, matte and velvety texture.



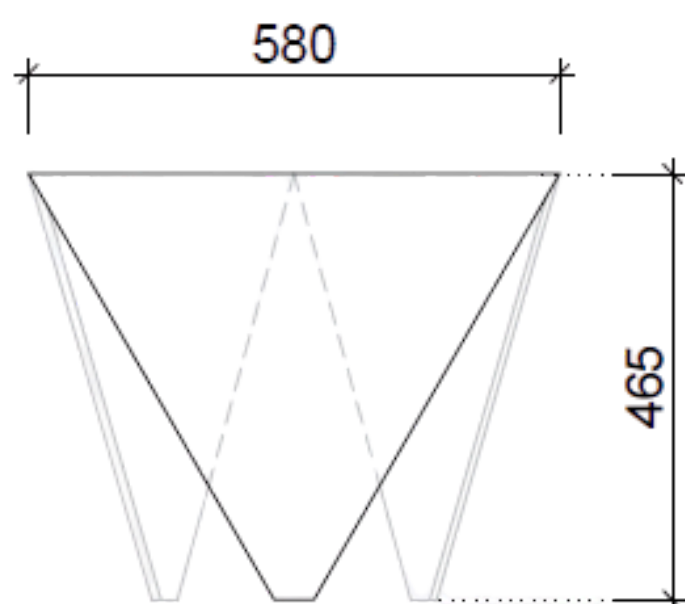
STOME

TABLE COLLECTION

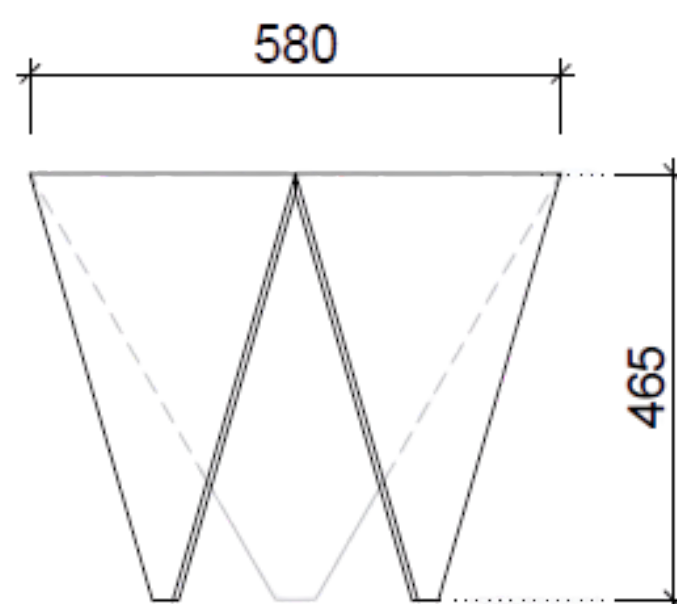
DIMENSIONS



PLAN VIEW



FRONT VIEW



SIDE VIEW

GENERAL INFORMATION

Height: 465 mm
Depth: 580 mm
Width: 502 mm
Weight: 17.5 kg

— Dimensions in millimetres

stone

stone home design



Av. da Liberdade, 153
2715-004 Pêro Pinheiro, Portugal
tel.: +351 219 270 302
galrao@galrao.com
www.galrao.com

Tania Monics
tel.: +39 347 4374756
www.taniamonics.com
interior@taniamonics.com

Rafaela Vieira
tel.: +39 388 909 1203
www.rafaelavieira.com
rafaelavieira.contact@gmail.com

Milano | Italia
Porta Monforte, 20129
20123 MI Milano